



## GRAND SLAM 300XL OUTRIGGER MOUNT



**Single-Handle Operation, Now for Larger Hardtops!** The Grand Slam 300XL - a stainless-steel / polished, anodized aluminum, single-handle Outrigger Mount designed for hardtops up to 4.5". Delivering enhanced safety and performance, the GS-300XL offers smooth, one-handed operation from the deck. Easily adjust rotation and lift of outrigger poles with the ergonomic crank handle, which locks flush into the base for a sleek, secure fit. Built with an all-metal design—no plastic components—the 300XL provides a superior water seal and increased protection from the elements. The GS-300XL pairs seamlessly with TACO's award-winning Open Water Internal & Collapsible Carbon Fiber Outrigger Poles, as well as Aluminum or Carbon Fiber Tele-Outrigger Poles up to 22', featuring an underside pin-locking connection that eliminates the need for port and starboard designations.

### PIN-LOCKING ARM

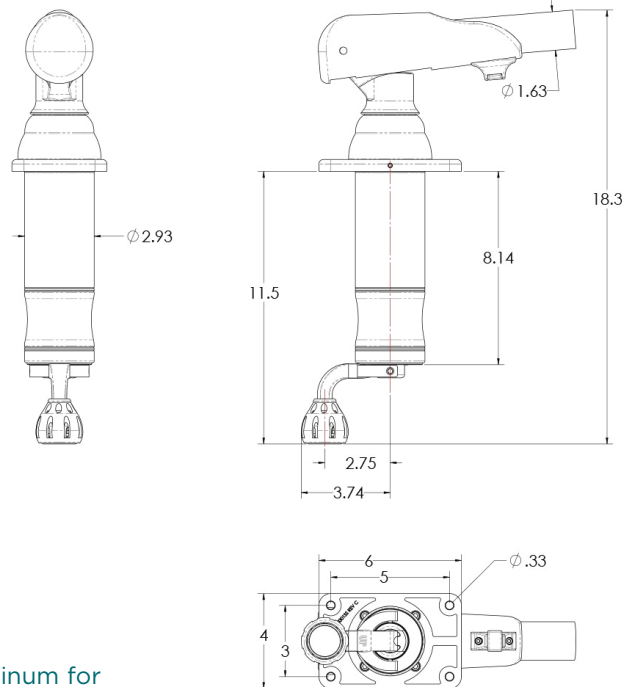
- No port or starboard designation
- Underside locking pin connection
- Arm lifts up to 46.5° from horizontal position for kite fishing and dock clearance
- Pairs with 1-1/2" DIA Outrigger Poles up to 20'
- Can be used with Outrigger Base Reducer for 1-1/8" DIA poles

### HANDLE

- Stainless-steel, ergonomic, single-hand crank handle with ball bearing
- Enables lift and rotation of outrigger poles from safety of the deck
- Unique, locking flip handle
  - Keeps the handle knob on the bottom when lifting or rotating the outrigger
  - Provides full torque control and safety of deployment at all times
- Robust, dual-detented lifting crank handle locks flush into base

### MOUNT

- Constructed from cast stainless-steel and machined aluminum for a stronger, lighter base
- Made for hardtops up to 4-1/2" thick
- Each mount weighs 15 pounds (30 pounds per pair)
- Safety detents prevent uncontrolled rotation when deploying outrigger poles
- Allows a controlled 180° rotation, if needed
- Locking head eliminates downward creep of outrigger poles
- Equipped to handle the torque and whip generated by poles up to 20'
- Includes all mounting hardware for easy installation
- Base hole pattern matches all TACO Marine Grand Slam models, as well as the industry standard hole patterns of other top-mount outrigger systems
- Max depth of T-top: GS-300 = 2.5", GS-300XL = 4.5"
- Backing plate (BP-0300BSY) sold separately



**⚠ WARNING:**  
 This product can expose you to chemicals including Lead, which is known to the State of California to cause cancer, birth defects or other reproductive harm. For more information go to [www.P65Warnings.ca.gov](http://www.P65Warnings.ca.gov).

w tacomarine.com | ph 800.653.8568 | e info@tacomarine.com



| PART #   | DESCRIPTION       | STD. PK | UOM  | UPC          |
|----------|-------------------|---------|------|--------------|
| GS-300XL | Grand Slam 300 XL | 2       | Pair | 631226092229 |